

# Semi-Automatic "Random" Carton Sealer

Model:

# CT-55R

*Excellent for all types of boxes.*



\* *Shown with Optional Casters*

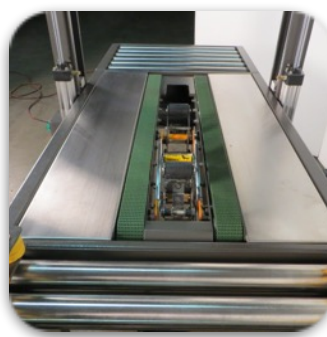
## Description

The **CT-55R Operator-Feed, Semi-Automatic Random Carton Sealer** features:

- Automatic Adjustment to Random Box Sizes.
- 2 Bottom Drive Belts with 2 Top Drive Belts.
- Our New "Piranha Tape Head" features an Easy Thread Design with Optimizer Arm.
- Machine Comes Complete with Adjustable Height Legs, Power Cord and 110 Volt Plug.
- Automatically centers the box, adjusts for the width and height and applies a single tape strip to the top and bottom of the random box sizes.



**Automatic Box Centering Device  
with Emergency Stop Switch**



**Heavy Duty 4 Drive Belts System  
with 2 Top & 2 Bottom Belts For  
Positive Grip Pressure**



**New "Piranha" Tape Head Features An  
Easy Thread Design with Optimizer Arm.**

## CT-55R

The operator simply packs the corrugated carton and feeds it into the machine. A photo-eye activates the box centering device, the operator pushes the box against the top tape head switch and it will move upward to seek the box height. 2 top and 2 bottom drive belts turn on and drive the box through the machine. The CT-55R applies a single tape strip to both the top and bottom of the case simultaneously. This 4 belt drive design is a heavy duty versatile machine designed for dependable performance and easy operation. The CT-55R will easily adjust in seconds to process a different size carton. Excellent for all types of boxes.

### STANDARD FEATURES:

- Piranha Tape Head with "Easy Thread" Design
- Interchangeable Tape Heads
- Automatic Adjustment to Random Size Boxes
- Box Centering Device
- 2 Bottom Drive Belts
- 2 Top Drive Belts
- Fully Adjustable Legs

### OPTIONAL FEATURES:

- 3" (72mm) Tape Heads
- Heavy Duty Locking Casters
- Stainless Steel Frame

**CARTON SIZE:** LENGTH: 6" min. to Infinite Length  
 WIDTH: 7" min. to 20" max.  
 HEIGHT: 2" min. to 22.5" max.

**MACHINE SIZE:** 75"L x 33"W x 60"H

**MACHINE SPEED:** 75ft./min. up to 20 cartons per minute. Production rate depends on carton size and operator dexterity

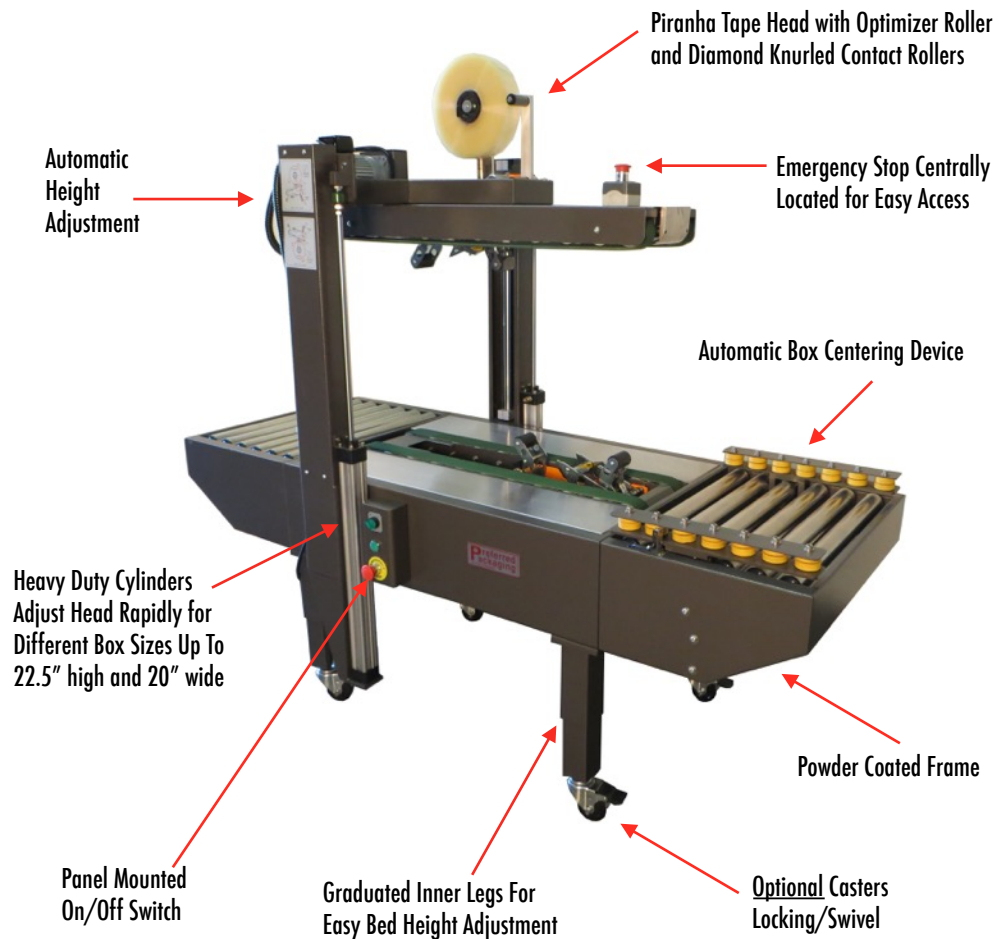
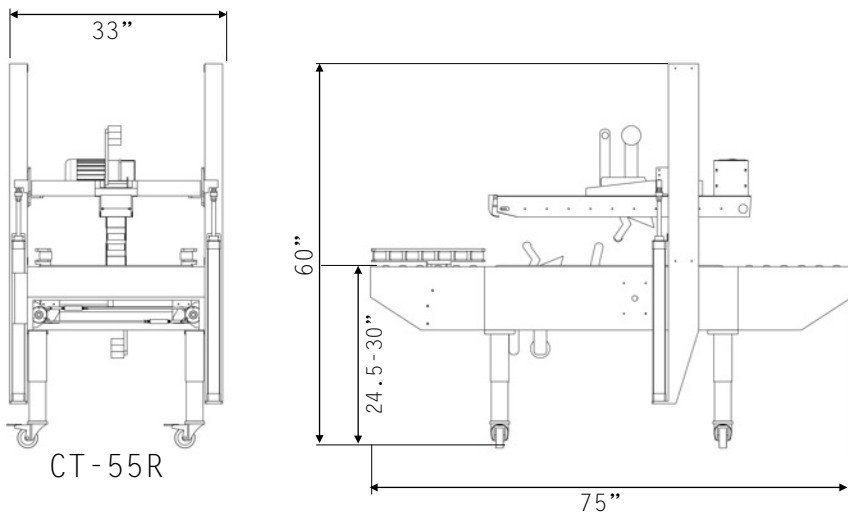
**ELECTRICAL:** 110 Volt, 1 Phase, 10 Amp

**WEIGHT:** 715 lbs. Shipping Weight: 775 lbs.

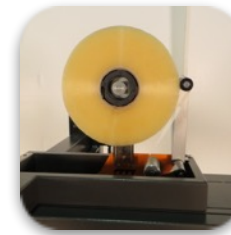
**MAX BOX WEIGHT:** 75lbs.

**TAPE HEAD SPECS:** 2" (48mm) Wide - 1,000 yard or 1,500 yard rolls.

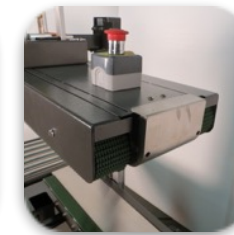
**WARRANTY:** 1 Year on all parts



Heavy Duty 1/4 HP Drive Motors



Piranha Tape Heads



Emergency Stop Switch



Air Required for Pneumatic Head Activation