

# Uniform-Adjustable Quad Drive Carton Sealer

Model:

# PP-554TS

*Top and side drive belt carton sealer excellent for tall, unstable boxes.*

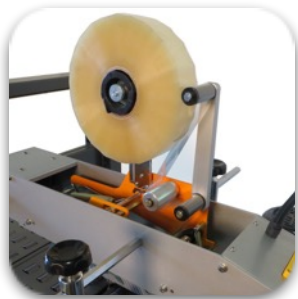


*\* Shown with Optional Infeed and Discharge Roller Conveyor & Casters*

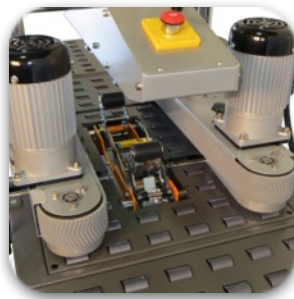
## Featuring Quad Drive Technology

*2 top drive and 2 side drive belts for the most positive grip.*

The PP-554TS Semi-Automatic Uniform Carton Sealer with Easy Manual Carton Size Adjustment has 2 side-drive belts and 2 top drive belts for the most positive drive design and features our new "Piranha" tape head with "Easy Thread Design." The machine comes complete with adjustable height legs, power cord and plug.



**Patented "Easy Thread" Tape Design  
With Adjustable Box Side Guides.**



**Heavy Duty Side and Top Drive Belts  
For Positive Grip Pressure.**



**New "Piranha" Tape Head Features An  
Easy Thread Design with Optimizer Arm.**

## PP-554TS CARTON SEALER

The operator simply folds the top flaps of the corrugated carton and feeds it into the machine. The PP-554TS applies a single tape strip to both the top and bottom of the case simultaneously. This four belt drive design is a heavy duty versatile machine designed for dependable performance and easy operation. The PP-554TS can be easily adjusted in only seconds to process a different size carton. Excellent for tall, unstable boxes.

### STANDARD FEATURES:

- "Patented" Tape Head with "Easy Thread" Design
- Interchangeable Tape Heads
- Side Pressure Rollers to Close Box Top
- Quad Drive with 2 Side and 2 Top Drive Belts - Positive Feed
- Fully Adjustable Legs

### OPTIONAL FEATURES:

- 3" (72mm) Tape Heads
- Infeed Conveyor
- Exit Conveyor
- Stainless Steel Frame
- Locking Casters

**CARTON SIZE:** LENGTH: 6" min. to Infinite  
 WIDTH: 7.8" min. to 20" max.  
 HEIGHT: 4.75" min. to 20" max.

**MACHINE SIZE:** 50"L x 38"W x 55"H

**MACHINE SPEED:** 75ft./min. up to 2000 cartons per hour. Production rate depends on carton size and operator dexterity

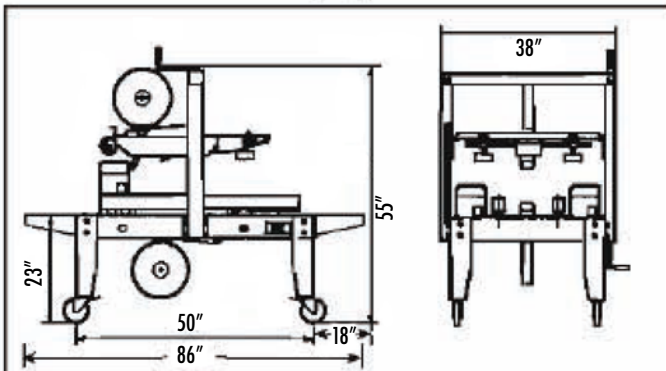
**ELECTRICAL:** 110 Volt, 1 Phase, 10 Amp

**WEIGHT:** 320 lbs. Shipping Weight: 370 lbs.

**MAX BOX WEIGHT:** 65lbs.

**TAPE HEAD SPECS:** 2" (48mm) Wide - 1,000 yard or 1,500 yard rolls.

**WARRANTY:** 1 Year on all parts



Patented Tape Head

Height Adjustment Crank

Spring Loaded Inner Mast Assembly  
 Allows Tape Head to Float for Oversized Boxes

Top Flap Compression Rollers

Dual Drive Motors

Side Drive Belt Assemblies (2)  
 • Self Centering  
 • Belt Speed 76 FPM  
 • (2) 1/4 HP Motors

Width Adjustment Crank

Panel Mounted On/Off Switch

Graduated Inner Legs For Easy Bed Height Adjustment

Optional Casters Locking/Swivel



PP-554TS Shown Without optional infeed or discharge roller or casters.

Emergency Stop Centrally Located for Easy Access

Easily Installed Replacement Belts

Optional Infeed/Exit Conveyors

Spring Loaded Side Drive Belts Compensate for Box Width Variations Automatically as Box is Pulled Through

### BOXES PER MINUTE vs. BOX LENGTH

