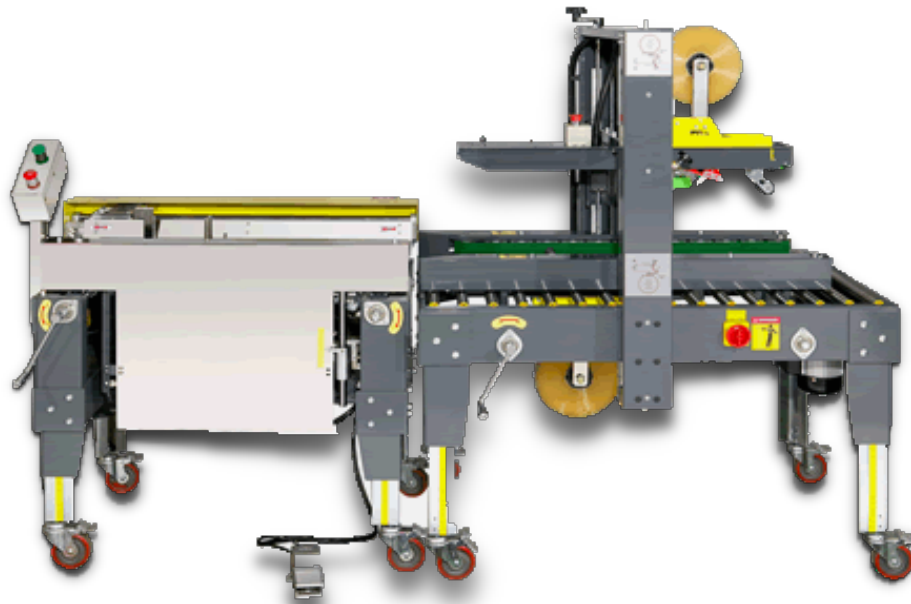


# Semi-Automatic Pack Station

Model:

# PP-563P

with 4 side bottom flap folding and pneumatic pusher



## description

The operator simply opens up and squares a flat box and loads it into the pack station, presses the foot-switch and all 4 of the bottom flaps are pneumatically closed, operator fills the box and when the box is filled the operator closes the minor and major flaps and depresses the foot-switch and the box is **automatically pushed into the carton sealer**.

## features

- Saves time and labor costs to close bottom flaps before loading
- Folding size:
  - L 250-500mm (10-20")
  - W 200-400mm (8-16")
  - H 100-500 mm (4-20")
- Emergency stop switch
- Locking casters

**Air:** 1 CFM at 60 PSI

**Electrical:** None required

**Warranty:** 1 year on parts



Scale makes for easy box height adjustment

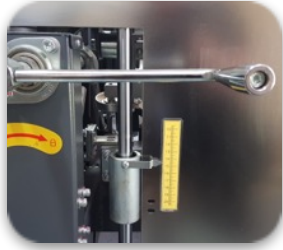


When bottom activation plates are depressed the bottom flap folders are active to close bottom of box.

## Preferred Pack®

The New Industry Standard for Quality and Reliability

Line of Equipment by EXCEL PACKAGING



Crank handle adjustment for width of boxes



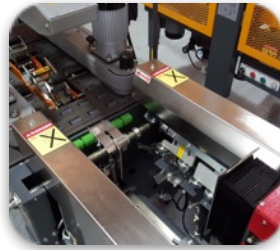
Air regulator with water trap and automatic oiler



Emergency stop switch



Locking slide handle allows for adjustment of box length



Matches us to most any carton sealer



Foot pedal activation

**specifications**

PW-563P Auto Folding Machine

Machine Loading Weight:20Kgs

Air Source:6Kgf/cm<sup>2</sup>

