

PP-568ERT-ML Automatic Carton Erector

ERT: Carton Erectors - Vertical Style

ML: Medium Size for Left Side Exit

Tape Width	2" or 3"
Belt Speed	10M/min.
Sealing Size	L250~510 x W200~380 x H120~500 mm (for 2" or 3")
Air Supply	6kgf/cm ²
Power Supply	3Ø, 220/380/415/440V (50/60Hz)
Machine Size	L 2502 x W 2359 x H 1547 mm

Options

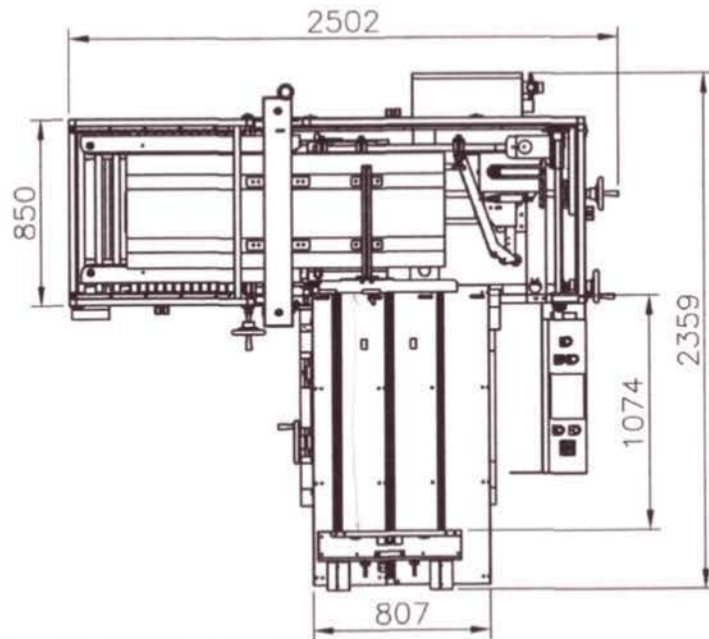
- In Stainless Steel Structure #304
- Right side or Left side operation.



Features

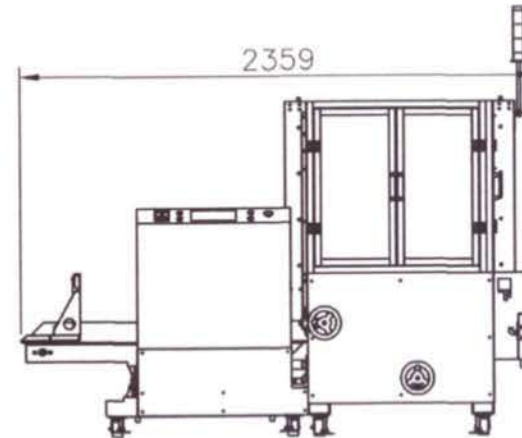
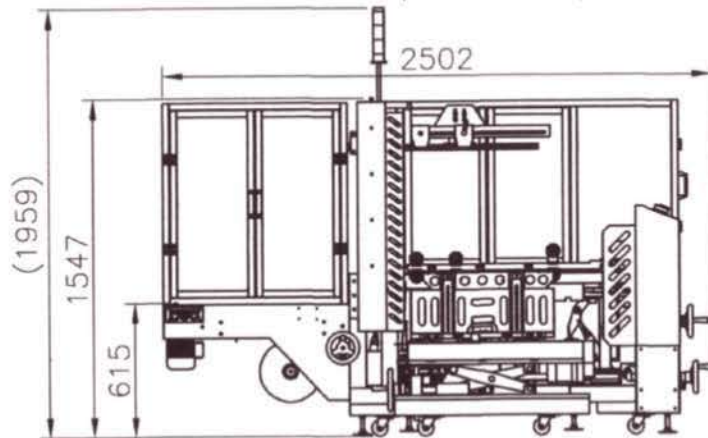
- HMI Touch Panel Control System
- Equiped with detection for no tape, tape sealing failure and tape cutting failure

PP-568ERT-ML



PP-568ERT-ML Auto Carton Erector

1. Available Carton Size Max: $L \quad W \quad H$
 $510 \times 380 \times 500$
 $250 \times 200 \times 120 (1/2W + H > 220)$
2. Capacity: 9~12 cartons/min
3. OPP Tape: 3"
4. Belt Driving Speed: 23.7M/min(1:15)
5. Voltage: 3 ϕ 220V 60Hz
6. Safety Fence
7. When Open Control Box, Machine Stop
8. Human Machine Interface:
 Fuji UG22H-LE(5.7") Single Color
9. PLC: Mitsubishi FX-3G Series
10. Working Height: 615mm



Unit:mm

Approved by Date	Checked By Date	Designed By Date	Draw By Date 20.03.13	Scale 1:30	Name -	Draw No 1303202
---------------------	--------------------	---------------------	--------------------------	---------------	-----------	--------------------